

OPERATOR'S MANUAL

Parts List and Warranty



For MultiSpread™ Topdresser
Models 220/320

 ***Earth & Turf Products, LLC***
America's Compact Topdresser Company

MultiSpread™ Models 220/320

LIMITED WARRANTY

Earth & Turf Products, LLC warrants to the original Purchaser, all *Earth & Turf* products, manufactured by it, to be free from defects in both material and workmanship under normal use and service.

Earth & Turf Products, LLC obligation under this Warranty shall be limited to replacement or repair of any parts thereof, free of charge to the original Purchaser, at its place of business, provided, however, that the part(s) to be replaced or repaired, shall **within 1 year** after delivery to the original Purchaser, be demonstrated to be defective: which determination shall be made by Company.

The said components or parts must be returned through the Selling dealer or distributor directly to the Company with all transportation charges prepaid.

Notice of defects shall be furnished in writing to the Seller and to the agent through whom the machinery was received, disclosing in full all known defects and failure in operation and use, and reasonable time shall be given to the Seller to remedy any such defects and failures.

Failure to make such trial or to give such notice shall be deemed an *absolute acceptance* by the Buyer and *satisfaction in full* of this Limited Warranty.

Under no circumstances does this warranty cover normal wear of any parts, components or material which, in the opinion of the Seller and the Company, have been subjected to neglect, misuse, alteration, accident, or if repaired, with parts other than those manufactured by and obtained from **Earth & Turf Products, LLC**.

This Warranty does not cover components which are already covered by a separate Warranty provided by the supplier of said parts or components.

Earth & Turf Products, LLC's obligation under this Warranty is limited to repair or replacement, free of charge to the original Purchaser, of any part which in the judgement of the Company is defective.

THIS WARRANTY IS MADE EXPRESSLY IN LIEU OF ALL OTHER WARRANTIES, EXPRESSED OR IMPLIED, INCLUDING ANY WARRANTY OF MERCHANTABILITY AND FITNESS FOR USE AND PURPOSE AND OF ALL OTHER OBLIGATIONS OR LIABILITIES ON ITS PART AND ANY IMPLIED PERSON TO ASSUME FOR IT, ANY OTHER LIABILITY IN CONNECTION WITH A SALE OF THESE PRODUCTS.

THIS WARRANTY SHALL NOT APPLY TO THESE PRODUCTS OR TO ANY PART THEREOF WHICH HAS BEEN SUBJECT TO ACCIDENT, NEGLIGENCE, ALTERATION, ABUSE OR MISUSE.

- The Company makes no warranty whatsoever in respect to accessories or parts not supplied by the Company.
- The term "original Purchaser", as used in this Warranty, shall be deemed to mean that person for whom the product is originally supplied.
- The Company, under this Warranty, cannot guarantee that existing conditions beyond its control will not affect its ability to obtain materials or manufacture necessary replacement parts.
- The Company reserves the right to make design changes, or specifications at anytime, without any contingent obligation on its parts to purchasers of machines and parts previously sold.
No one is authorized to alter, modify or change the terms of this Warranty in any manner.
- The Company warrants the Construction of the equipment sold herein and will replace it at its expense for a period of one year from the date hereof, any parts which prove defective as determined under the terms of this Limited Warranty.
- This Warranty shall apply only within the boundaries of the continental United States.

MultiSpread™ Models 220/320

INSTRUCTIONS

IMPORTANT SAFETY PRECAUTIONS

CAUTION!!!

■ **Operator must read before using unit.**

- 1 **KEEP HANDS AWAY** from any moving parts of the spreader during operations.
- 2 **NEVER** run spreader unless all guards are securely tightened in proper position.
- 3 **NEVER** repair any parts or make any adjustments while machine is in motion.
- 4 **NEVER** wear loose clothing around any moving parts of the machine.
- 5 **NEVER** allow anyone to ride spreader.

● **Failure to heed the above warnings may result in personal injury or death.**

TRACTOR REQUIREMENTS

Tractor Rating 320 minimum 20 HP
Unit Mounting Draw Bar Hitch

MAINTENANCE

- 1 **Entire Unit** must be washed thoroughly after each use. Never store material in spreader.
- 2 **Maintain proper** air pressure in tires to insure proper operation.
- 3 **Drive Chain** requires graphite lubrication.
- 4 **Keep proper** tension on material conveyor belt by tightening the two adjusting bolts at the front of the spreader on both sides. It is important that the tensioning bolts be adjusted equally to maintain proper belt alignment. Incorrect adjustment may cause premature wear on the belt and damage to hopper sides. **IMPORTANT:** Each season, remove the conveyor belt and clean rollers and belt slide area.

OPERATION

- 1 **Adjust the MultiSpread** draw bar to the proper length to allow room for the tractor to make turns without the rear tractor wheel contacting the spreader. With the unit secured to avoid rolling or dropping on personnel during adjustment, remove the bolt at the base of the draw bar and position it in one of the four holes. Reinstall bolt in the proper hole.

- 2 **Hook the completely assembled MultiSpread** to the tractor's tow bar using a hitch pin with a safety clip pin.
- 3 **Adjust the spreader** engagement handle to the proper length by loosening the two wing nuts and sliding the handle in or out for easy operator access. Make sure handle does not contact operator or tow unit during turns. Retighten all hardware.

- 4 **Adjust the metering gate** at the back of the spreader to obtain proper material flow and to achieve the desired spread thickness. The adjustment is accomplished by



pulling the round knob to release the spring-loaded catch pin from its hole in the disc, then rotating the adjuster for proper endgate height. Release the pin and make sure it has been reset into one of the available adjustment holes.

Loading the hopper can be accomplished with a hand shovel or with a tractor type loader. When loading with a tractor type loader, avoid lifting bucket higher than necessary to empty bucket. Discharge material from the bucket slowly to avoid damage to the spreader. Materials, such as sand, may not be heaped above hopper sides. Material, such as compost, will allow for some heaping.

- 6 **Drive tractor to the spreading area.** Engage the traction drive lever. The traction drive lever will allow a chain to drop onto a drive sprocket, thus causing both wheels to activate apron belt and beater, to begin spreading hopper contents.
- 7 **Start forward motion** to begin operation. The faster the ground speed, the wider the spread pattern and vice versa. Use a wide turning radius to avoid damage to the unit. Always be sure to slow down while engaging and disengaging the spreader.

Important Note: Modifying the sides to hold additional material may overload the unit and will void the warranty.

LUBRICATION

- 1 There is one unmarked grease zerk on each wheel hub. Maintenance level - twice during seasonal use.

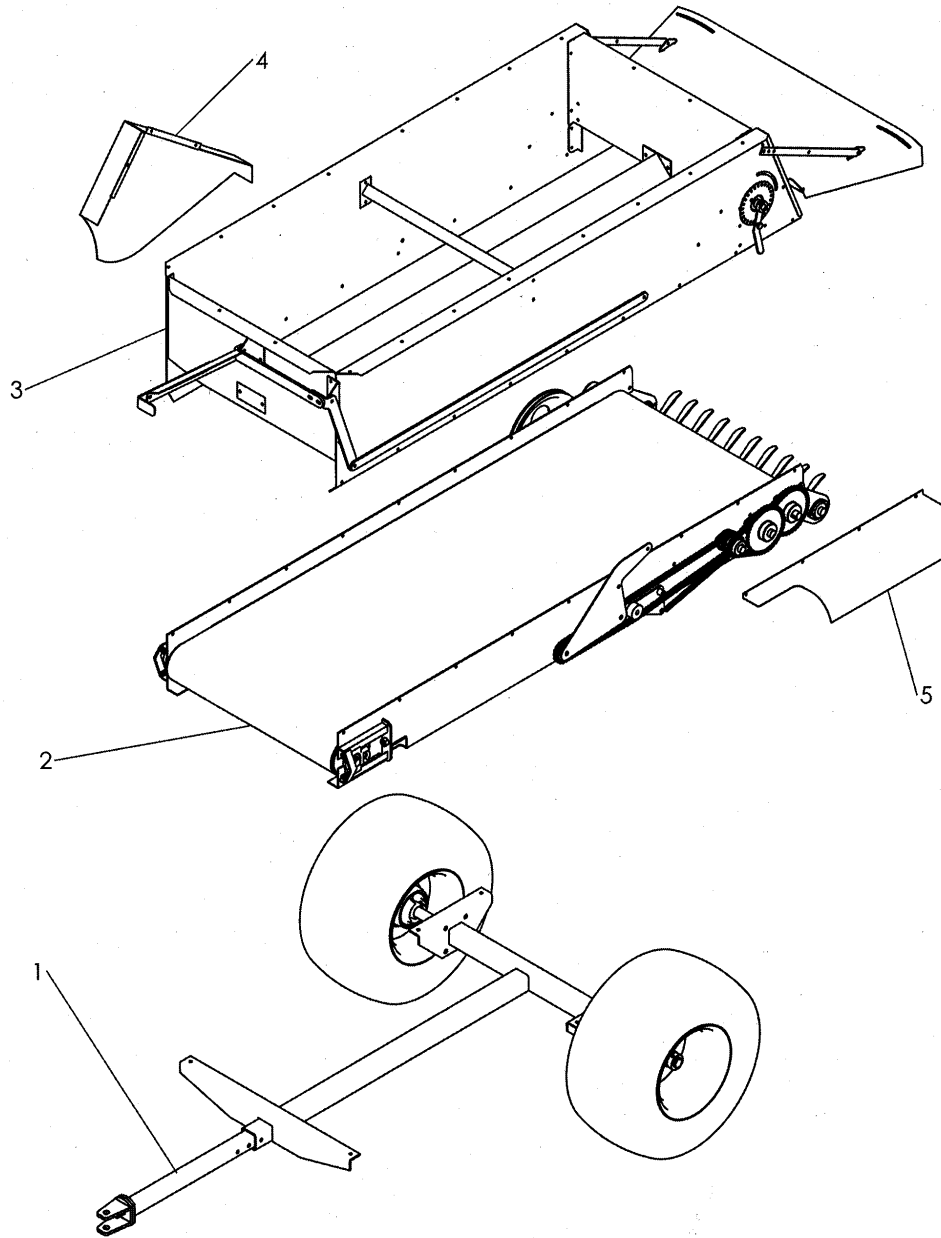


- 2 All other lubrication points on the MultiSpread Models 220/320 are indicated by the small decal shown above. This decal points directly to the zerk to be greased.
- 3 Lubrication decals can be found at the following locations on the topdresser:

MultiSpread™ Model 320

PARTS LISTING

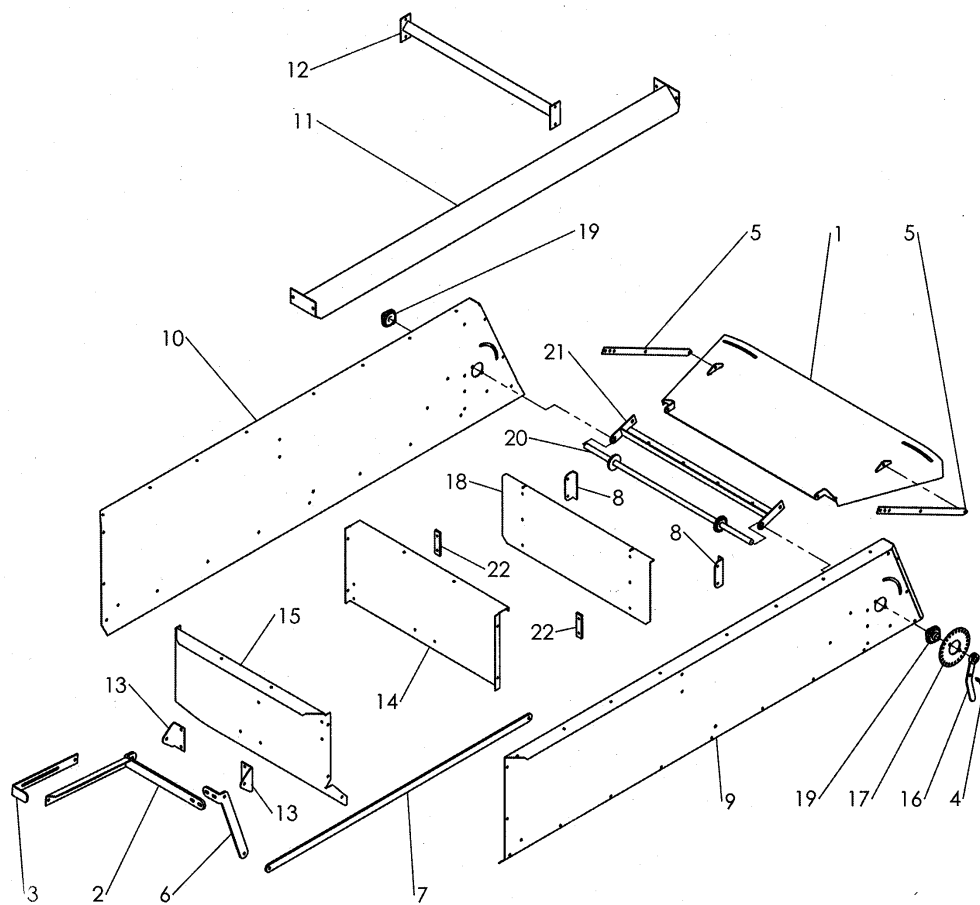
WHEN ORDERING PARTS: Be ready to provide Item Numbers, Part Numbers, and Serial Number of the machine.



ITEM NO.	PART NUMBER	DESCRIPTION	320MS Standard /QTY.
1	329000	CHASSIS ASSEMBLY 320MS	1
2	329001	BODY ASSEMBLY 320MS	1
3	329002	BOX ASSEMBLY 320MS	1
4	321022	BELT SHIELD	1
5	321021	CHAIN SHIELD	1

MultiSpread™ Model 320

PARTS BREAKOUT



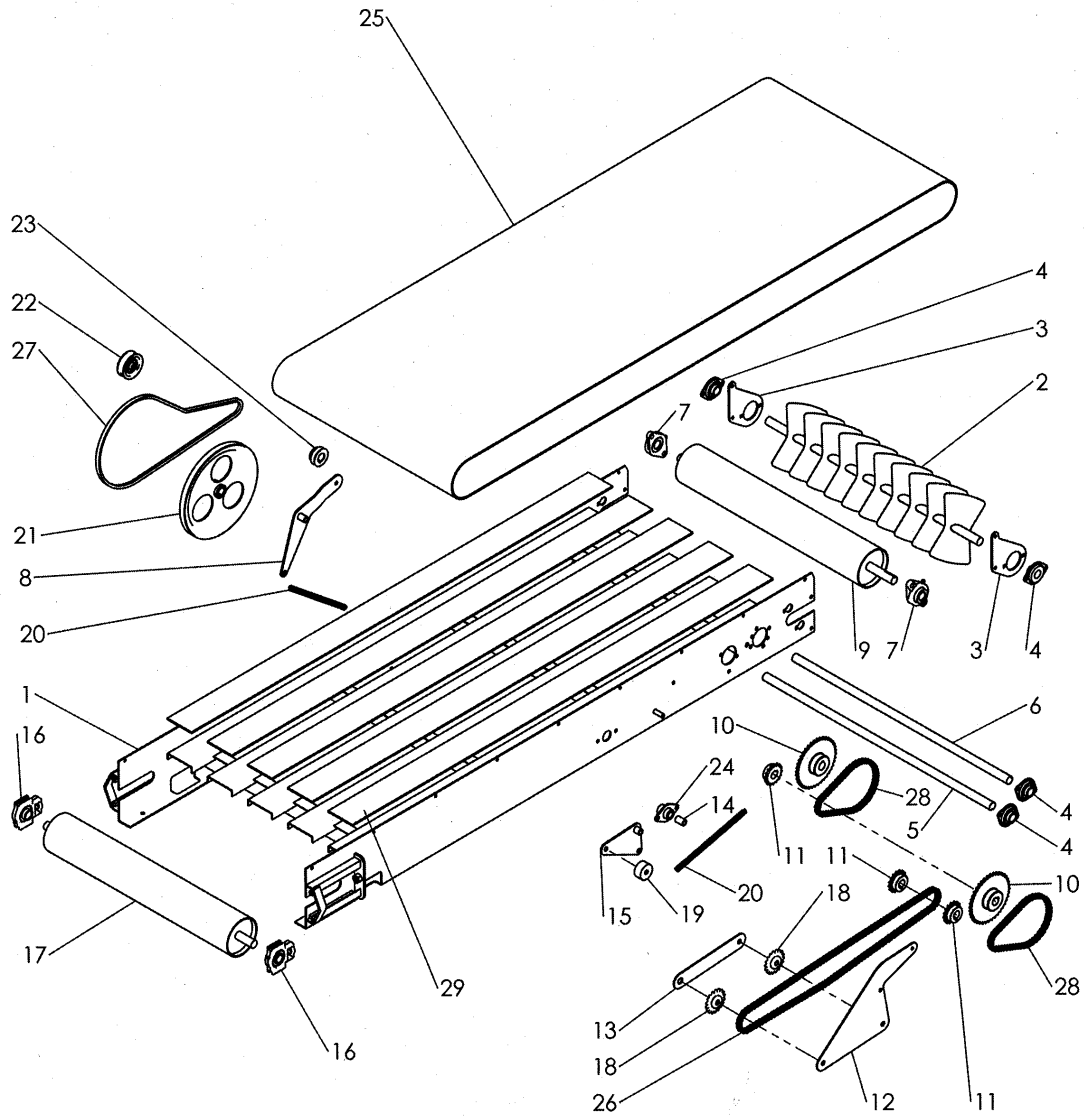
MultiSpread™ Model 320

PARTS BREAKOUT

ITEM NO.	PART NUMBER	DESCRIPTION	QTY.
1	321900	BEATER SHROUD WA	1
2	321918	ENGAGEMENT HANDLE WA	1
3	321069	DRIVE ENGAGEMENT HANDLE	1
4	325026	Spring Plunger	1
5	321065	BEATER SHROUD STRAP	2
6	321031	CHAIN LIFTER LEVER	1
7	321034	CHAIN LIFT LINK	1
8	321066	ENDGATE GUIDE	2
9	321009	SIDE PANEL L.H.	1
10	321010	SIDE PANEL R.H.	1
11	321914	LOAD BAFFLE WA	1
12	321913	SIDE BRACE WA	1
13	321025	CLUTCH LEVER BRKT.	2
14	321012	BACK PANEL	1
15	321008	Front Panel	1
16	321917	METERING GATE HANDLE WA	1
17	321023	METERING GATE POSITONER	1
18	321902	METERING GATE WA	1
19	325011	.75 in. 2 Hole stamped	2
20	321904	METERING GATE SHAFT WA	1
21	321903	TINE BAR WA	1
22	321059	METERING GATE SLIDE	2

MultiSpread™ Model 320

PARTS BREAKOUT



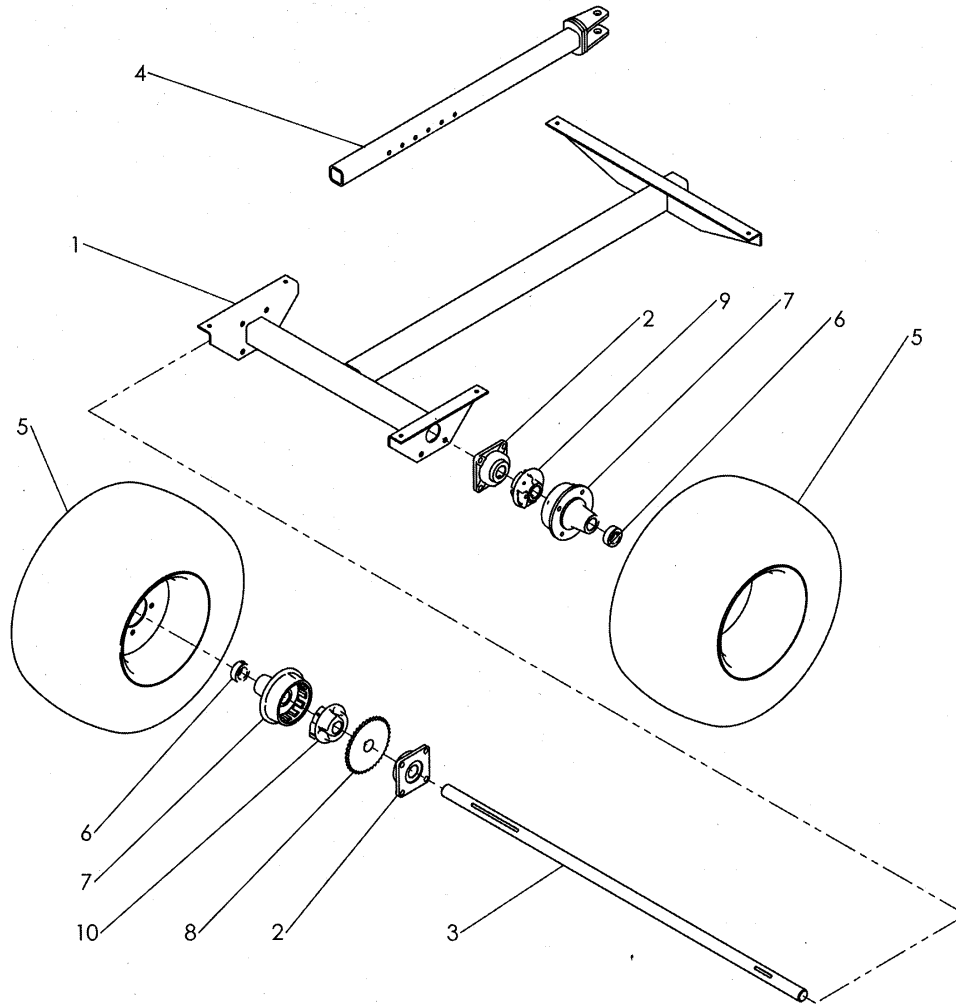
MultiSpread™ Model 320

PARTS BREAKOUT

ITEM NO.	PART NUMBER	DESCRIPTION	QTY.
1	321915	FLOOR FRAME WA	1
2	321916	BEATER WIDESPREAD	1
3	321064	BEATER MOUNTING BRACKET	2
4	105024	BEARING 1" 2 HOLE STAMPED	6
5	321045	FRONT IDLER SHAFT	1
6	321057	REAR IDLER SHAFT	1
7	325013	1" Mounted 2 Bolt Flange Brng	2
8	321906	BELT TIGHTENER WA	1
9	321074	CONVEYOR DRIVE PULLEY	1
10	325014	40B40 x 1 in Sprocket	2
11	325015	40B16 x 1 in Sprocket	3
12	321020	CHAIN LIFTER LRG.	1
13	321027	CHAIN LIFTER SML	1
14	321048	Bushing	1
15	321905	CHAIN TIGHTENER WA	1
16	105021	UCST205-16 SLIDE BEARING	2
17	101570	CONVEYOR IDLER PULLEY	1
18	325021	SPROCKET IDLER	2
19	321060	CHAIN GUIDE, NYLON	1
20	325022	COIL SPRING	2
21	325000	SPREADER PULLEY (DRIVING)	1
22	325004	SPREADER PULLEY (IDLER)	1
23	325003	SPREADER PULLEY (DRIVEN)	1
24	321907	LIFTER ARM BEARING WA	1
25	325018	BELT, UNLOADING CONVEYOR	1
26	325025	MAIN DRIVE CHAIN	1
27	325023	SPREADER DRIVE BELT	1
28	325019	CONVEYOR DRIVE CHAIN	2
29	321088	UHMW FLOOR STRIPS 4" WIDE	5

MultiSpread™ Model 320

PARTS BREAKOUT



ITEM NO.	PART NUMBER	DESCRIPTION	QTY.
1	321910	SUB FRAME WA	1
2	325010	1.375 Mounted 4 Bolt Flange Bearing	2
3	321046	AXLE SHAFT	1
4	329010	HITCH ASSEMBLY	1
5	325002	WHEEL & TIRE	2
6	325020	1-3/8" SET SCREW SHAFT COLLAR	2
7	325009	WHEEL RATCHET HOUSING	2
8	325024	40B40 x 1 in Sprocket	1
9	329011	WHEEL RATCHET BODY ASSEMBLY RH	1
10	329012	WHEEL RATCHET BODY ASSEMBLY LH	1

NOTES

**PARTS BREAKOUT FOR THE MODEL 220 TO BE ADDED IN A LATER
ISSUE OF THIS PUBLICATION.**

OPERATOR'S MANUAL



112 South Railroad Avenue
New Holland, PA 17557 U.S.A.
Tel 717 • 355 • 2276
Fax 717 • 355 • 2879

TOLL FREE
Service Hot Line
1 • 888 • My • E • and • T
(1 • 888 • 693 • 2638)

***Earth & Turf** is a company dedicated to developing new, innovative equipment that delivers greater productivity.*

We achieve this by solving everyday, real-world problems.

***Earth & Turf** is continually striving to improve its designs, products and services.*

We reserve the right to make improvements or changes when it becomes practical and possible to do so, without incurring any obligation to make changes or additions to previously sold equipment.